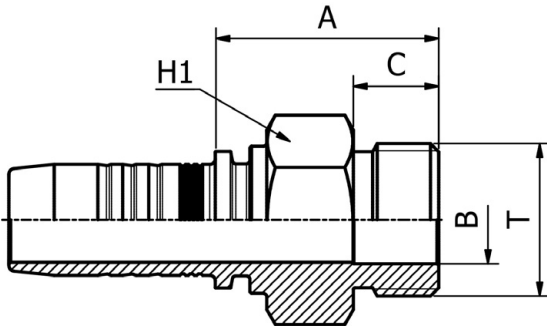


SAE STANDARD CONNECTIONS

M13010

SAE MALE O-RING BOSS TYPE
SAE J516 / ISO 11926

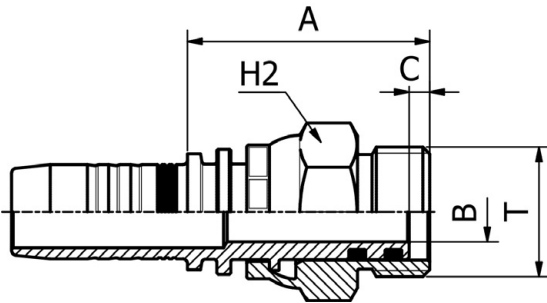


PART. REF.	HOSE BORE			Thread	DIMENSIONS mm						
	DN	Dash	inch	T	B	A	C	H1			
M13010-04-04	6	- 4	1/4"	7/16" - 20	4.4	24.0	9.1	14.0			
M13010-04-06	6	- 4	1/4"	9/16" - 18	7.5	24.5	9.9	17.0			
M13010-06-06	10	- 6	3/8"	9/16" - 18	7.5	25.5	9.9	17.0			
M13010-06-08	10	- 6	3/8"	3/4" - 16	9.9	28.5	11.1	22.0			
M13010-06-10	10	- 6	3/8"	7/8" - 14	12.3	31.5	12.7	25.0			
M13010-08-08	12	- 8	1/2"	3/4" - 16	9.9	29.0	11.1	22.0			
M13010-08-10	12	- 8	1/2"	7/8" - 14	12.3	32.0	12.7	25.0			
M13010-08-12	12	- 8	1/2"	1.1/16" - 12	15.5	38.5	15.1	32.0			
M13010-10-10	16	- 10	5/8"	7/8" - 14	12.5	32.0	12.7	25.0			
M13010-10-12	16	- 10	5/8"	1.1/16" - 12	15.5	37.5	15.1	32.0			
M13010-12-12	19	- 12	3/4"	1.1/16" - 12	15.5	39.5	15.1	32.0			
M13010-12-16	19	- 12	3/4"	1.5/16" - 12	21.5	40.0	15.1	38.0			
M13010-16-16	25	- 16	1"	1.5/16" - 12	21.5	41.0	15.1	38.0			
M13010-20-20	31	- 20	1.1/4"	1.5/8" - 12	27.5	43.5	15.1	46.0			

SAE STANDARD CONNECTIONS

M14310

SAE SWIVEL MALE O-RING BOSS TYPE
SAE J516 / ISO 11926



PART. REF.	HOSE BORE			Thread	DIMENSIONS mm						
	DN	Dash	inch	T	B	A	C	H2			
M14310-04-04	6	- 4	1/4"	7/16" - 20	4.0	43.0	9.1	17.0			
M14310-04-06	6	- 4	1/4"	9/16" - 18	7.0	44.0	9.9	22.0			
M14310-06-06	10	- 6	3/8"	9/16" - 18	7.0	48.0	9.9	22.0			
M14310-06-08	10	- 6	3/8"	3/4" - 16	9.3	47.0	11.1	22.0			
M14310-08-08	12	- 8	1/2"	3/4" - 16	9.3	53.0	11.1	27.0			
M14310-08-10	12	- 8	1/2"	7/8" - 14	9.3	41.5	13.0	27.0			
M14310-08-12	12	- 8	1/2"	1.1/16" - 12	12.5	49.5	15.0	32.0			
M14310-10-10	16	- 10	5/8"	7/8" - 14	9.3	41.5	13.0	27.0			
M14310-12-12	19	- 12	3/4"	1.1/16" - 12	12.5	50.5	15.0	32.0			